

**Avid Configuration Guidelines
Media Composer
HP xw8600 Dual Quad-Core Workstation**

AVID qualified and recommended Slot Configuration:

- **Slot 1 - PCI 32-bit 33MHz (Firewire card required for Adrenaline / Mojo connectivity)**

Required: 1394 Firewire Card, FW323 Agere based with 4K buffer

- **Slot 2 - PCI-E(2) x16 Video Board**

Required: NVIDIA Quadro FX 3700 or NVIDIA Quadro FX 4600

- **Slot 3 (PCI-E x8 mechanical - x4 electrical)**

Optional: 1394 PCI-E adapter for Avid Studio 002, DV camera / deck

- **Slot 4 PCI-E(2) x16 mechanical - (set to x8 electrical via system BIOS)**

AVID PCI Express Interface Board for DX Hardware (HIB)

- **Slot 5 PCI-E x8 mechanical – (set to x8 electrical via system BIOS)**

Local Storage Connectivity:

Option 1: No HBA required for AVID VideoRAID II SR 16-bay SAS Chassis (connects direct via SAS port on back of XW8600)

Option 2: Atto R380 SAS RAID controller. For connectivity to AVID VideoRAID II ST 5-bay JBOD chassis

Option 3: Atto UL5D PCI-E u320 Dual-Channel SCSI controller (u320 SCSI connectivity to original AVID Video RAID 5-bay, 10-bay, MediaDock, R&S, etc)

- **Slot 6 (PCI-E x8 mechanical - x4 electrical)**

Shared Storage Connectivity:

Option 1: Atto Celerity FC-41EL / FC-41ES Fibre adapter (Unity MediaNet Fibre connectivity)

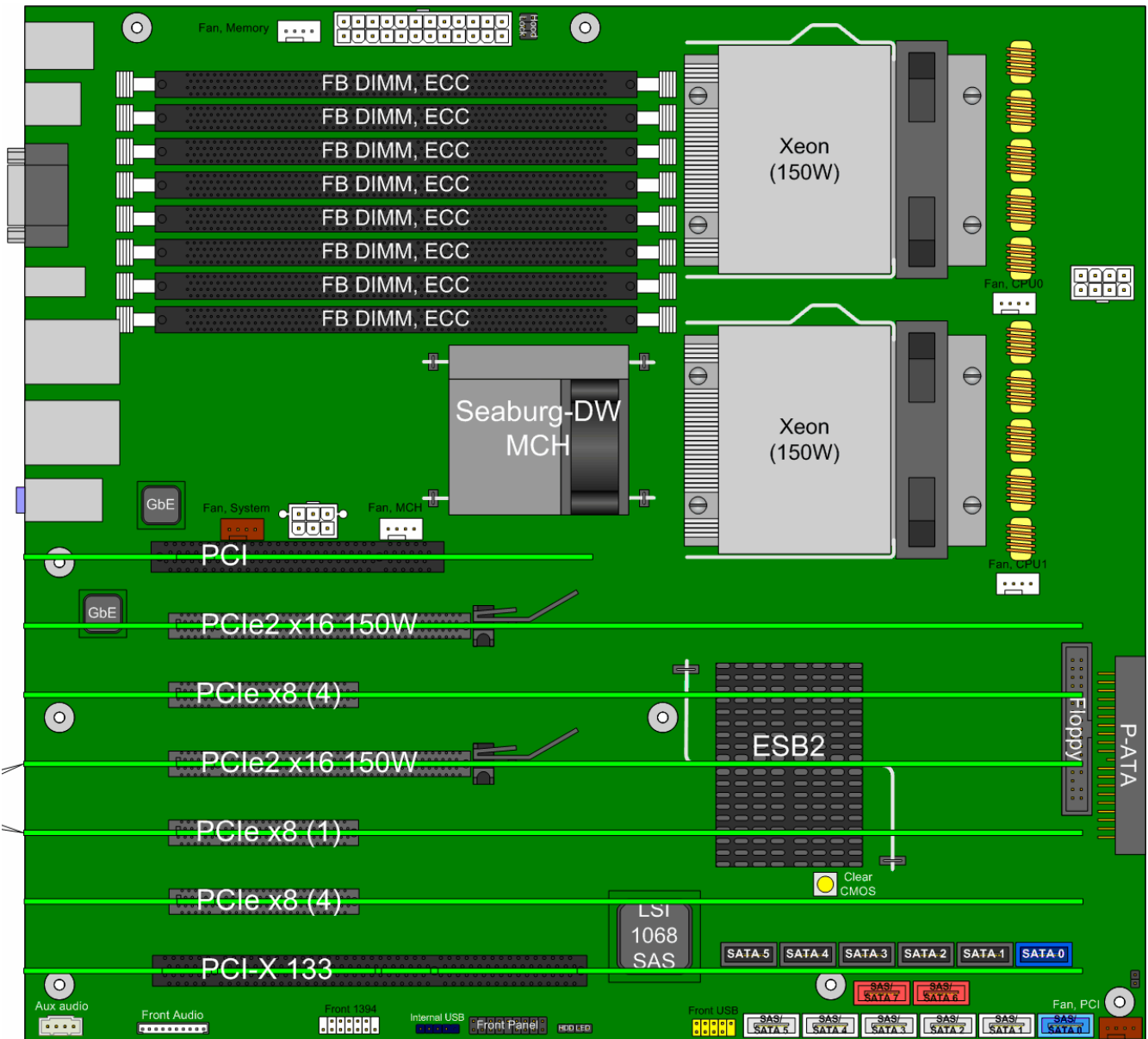
Option 2: Intel Pro 1000PT Copper network adapter (Unity ISIS GbE connectivity)
(Required only for Vista / Adrenaline or Mojo / ISIS configurations. Not required for WinXP environments)

Option 3: Intel Pro 1000 PF Optical Gb Ethernet HBA

- **Slot 7 (PCI-X 133MHz) ****

*** Important – This slot shares the same bus as the embedded SAS 1068 controller. Installation of any non-specified HBA into this slot (in particular a PCI 32-bit/33MHz HBA) will result in severely degraded performance of the SAS controller. Use only specified HBA's in this slot.*

HP XW8600 Layout



ISIS Connectivity

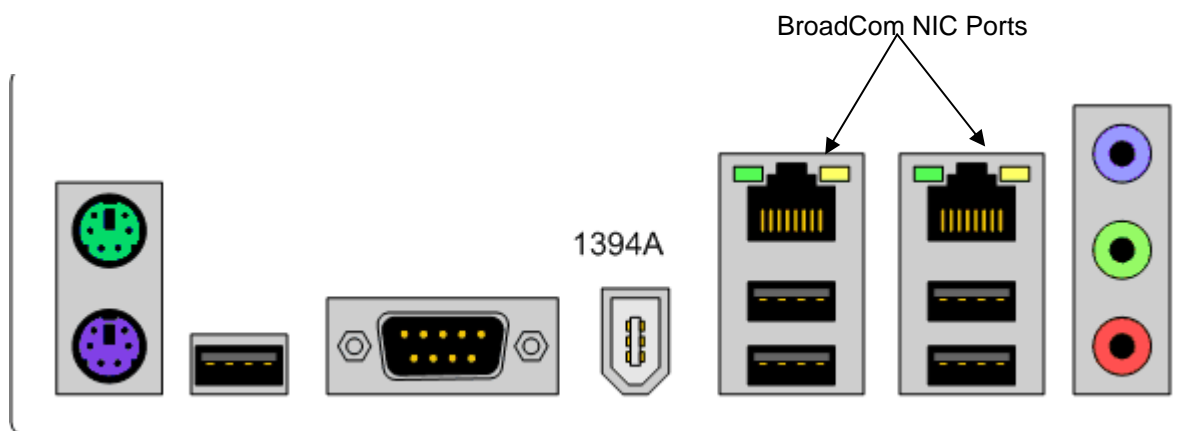
Important ISIS Connectivity Notes:

On-board Broadcom NIC ports are qualified for ISIS connectivity in the following configurations:
(Use dual-port embedded Broadcom NIC ports on rear of XW8600)

1. Any configuration utilizing Avid DX hardware
2. Adrenaline / Mojo environments running in WinXP operating system.
3. Any software only configuration

For Adrenaline / Mojo configurations running in [Vista OS environment](#) an add-in Intel Pro 1000PT Copper network adapter is required in slot #6. See slot #6 info above.

For Broadcom functionality with ISIS, find all instances of the RxStdDescCnt registry key and increase its value from 200 to 511 and reboot the system.



Adrenaline and Mojo Connectivity

Adrenaline and Mojo must connect via an add-in 1394a Firewire card (with 4K buffer) installed in Slot #1
The XW8600 embedded 1394 port should not be used.

Qualified Firewire cards are:

- a.) H.P. p/n PA997A 1394a Firewire Card, PCI 32-bit/33MHz
http://h18000.www1.hp.com/products/quickspecs/11955_ca/11955_ca.html#Technical%20Specifications
- b.) Sonnet Technologies Allegro FW400 1394a PCI 32-bit/33MHz
<http://www.sonnettech.com/product/allegro400.html>

Current qualified BIOS ver: 1.0.7

Required system BIOS change to set PCI-E speeds for slots #4 and #5

During boot up press **F10** at the white HP screen, for **Set Up**.

Select **English**. <Enter>

Select the **Advanced** tab

Select **Chipset / Memory**. <Enter>

Select **PCIe Lane Allocation (SLOT4: SLOT5)**

Default setting is **AUTO**

Change this setting from **AUTO** to **x8:x8**

Press **F10** to **Save**

Save Changes and Exit

Revision Update

Revision	Date	Name	Update
A1	Jan 30 th 2008	Joe Conforti	Initial Release
B	March 21 st 2008	Mike Fortin	Added 4K buffer 1394 card for Adrenaline and Mojo configurations
C	June 17 2008	Joe Conforti	Added further clarification for the Intel PT Pro 1000 HBA requirement / utilization.